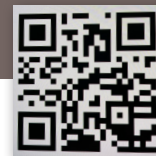


# METAL



**T**CI metal fabrication shops and stainless steel plant provide significant opportunities for assigned workers to gain experience in metal work. Individuals may build and install hydraulic dump beds on trucks; fabricate bbq pits, smokers, and aluminum bleachers, repair trailers, and install security enhancements on TDCJ transport buses. MAL welders are held to the highest standards, whether they are stacking dimes on a custom order, or refinishing a bus for a public school. Along with OJT's and apprenticeships, welders also have the opportunity to become certified through the American Welding Society.



METAL

# LOCKER ROOMS



## A. LOCKER, VENTILATED 4-PLEX

Measures 30"W x 18"D x 72"H. This unit has four separate lockers. Provisions for padlocks are included on each of the lockers. Included are 3 single prong hooks per locker. Unit can be bolted to the wall for stability. Ventilated front panels on footlockers. Ventilated side panels. Sides are made with 14 Ga. mild steel, back with 16 Ga. mild steel, the front and bottoms are made from 14 Ga. mild steel. Epoxy painted in standard industry colors. Weight: 240 lbs.

805-16-44100-5    STM-04-1013

## B. ATHLETIC GYM LOCKER

This unit has three separate lockers. Provisions for padlocks are included on each locker. Clothes hanger bar and shelf built in each locker. Ventilated doors available. The back panel dividers are constructed with 16 Ga mild steel, the sides, top and bottom are 14 Ga mild steel. Epoxy painted in standard industry colors. Weight: 330 lbs.

805-16-43130-3    STM-04-1008

Athletic Gym Locker    54"W x 22"D x 72"H

805-16-43140-2    STM-05-1093

Athletic Gym Locker    51"W x 22"D x 72"H

805-16-43090-9    STM-04-1009

Louvered Doors    51"W x 22"D x 72"H

## C. ATHLETIC FOOTBALL LOCKER

Measures 48"W x 21"D x 72"H. This football locker has two separate lockers with seats and foot storage with recessed padlock area. Two single prong hooks are included with each locker. Unit can be bolted to wall for stability. Ventilated front panels on footlockers. Sides are made with 12 Ga. mild steel. The back divider and shelves are 14 Ga. mild steel. Front panel is perforated 14 Ga. mild steel. Epoxy painted in standard industry colors. Weight: 360 lbs.

805-16-42100-7    STM-04-1007

## D. LOCKER ROOM BENCH

Constructed with 1.5" Sched. 40 pipe with 14 Ga. mild steel seats. Bench can be bolted to the floor for stability. Epoxy painted in standard industry colors.

805-16-24120-7    STM-04-1001    6'

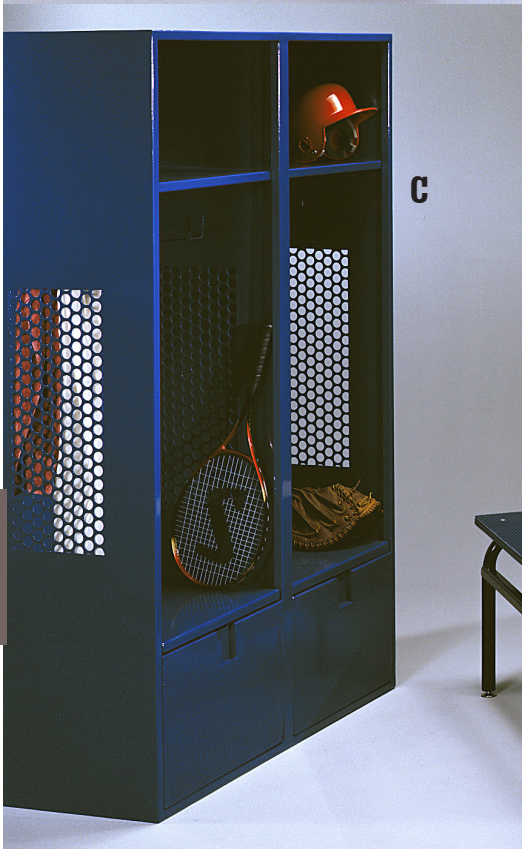
805-16-24140-5    STM-04-1016    8'

## E. HALL BENCH (NOT PICTURED)

Constructed from 1.5" Sched. 40 pipe with 14 Ga mild steel. Stress bars constructed from 1" 16 Ga. mechanical tubing. Wood slats have been sanded and sealed for comfort. Each measuring 2.5"W x 1"D x 8'L. Metal parts are epoxy painted in standard industry colors.

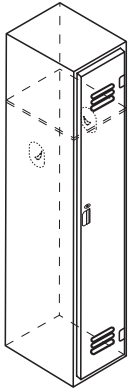
805-10-20100-9    STM-05-1078    6'

805-10-20102-5    STM-04-1000    8'



METAL

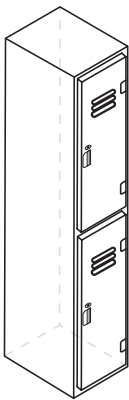
## LOCKER ROOMS



### SINGLE LOCKER WITH SHELF AND LOUVERED DOOR

Provisions for padlocks are included on each of the lockers. Included are two single prong hooks per locker. Unit can be bolted to the wall for stability. Sides are made with 14 Ga. mild steel, back and shelf with 16 Ga. mild steel, the door and bottoms are made from 14 Ga. mild steel. Epoxy painted in standard industry colors. Weight: 240 lbs.

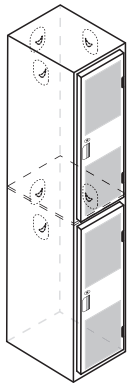
**805-16-45102-0**    **STM-04-1022**    **15"W x 12"D x 60"H Without Shelf**  
**805-16-45100-4**    **STM-06-1096**    **12"W x 12"D x 60"H With Shelf**



### DUPLEX LOCKER

Constructed with 14 Ga. steel shell and doors, and 16 Ga. back panel and shelf. There are three louver openings totaling 4.5"W x 3.5"H at top of doors. Epoxy painted in standard industry colors.

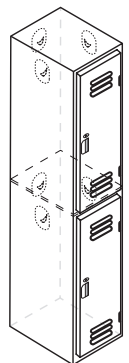
**805-46-17100-2**    **STM-04-1010**    **12"W x 15"D x 60"H**



### DUPLEX LOCKER WITH VENTILATED DOORS

Provisions for padlocks are included on each of the lockers. Included are three single prong hooks per locker. Unit can be bolted to the wall for stability. Sides are made with 14 Ga. mild steel, back with 16 Ga. mild steel, the front and bottoms are made from 14 Ga. mild steel. Epoxy painted in standard industry colors. Weight: 240 lbs.

**805-16-46100-3**    **STM-04-1012**    **12"W x 24"D x 72"H**



### DUPLEX LOCKER WITH LOUVERED DOORS

Provisions for padlocks are included on each of the lockers. Included are two single prong hooks per locker. Unit can be bolted to the wall for stability. Sides are made with 14 Ga. mild steel, back with 16 Ga. mild steel, the front and bottoms are made from 14 Ga. mild steel. Epoxy painted in standard industry colors. Weight: 240 lbs.

**805-16-46102-9**    **STM-04-1015**    **12"W x 12"D x 72"H**  
**805-16-46104-5**    **STM-04-1011**    **12"W x 24"D x 72"H**

METAL

## BUS RENOVATION



## BUS RENOVATION

TCI offers a complete body, paint and limited mechanical service. Parts will meet Texas Specifications when applicable. Listed below are certain guidelines to be followed:

- It will be the responsibility of each school or eligible agency to arrange pick-up and delivery of their vehicle to the facility.
- Remove any first aid kits, flares, fire extinguishers or tools from the vehicle.
- Have written instructions as to the service you wish performed on each vehicle.
- At the time of pick-up, the plant supervisor and agency representative will make visual inspection of each vehicle. Any noted discrepancies will be corrected prior to the vehicle leaving the TDCJ facility.
- The Texas Department of Criminal Justice will not be responsible for any service not performed by the facility.
- Exterior and interior paint will be under warranty for one year.

## SERVICES AND PRODUCTS FOR 19 TO 72 PASSENGER BUSES

- A/C Replace or Repair
- Complete Exterior Paint
- Upholstery (Seat backs, Bottoms and Foam)
- Complete Mechanical (Engine, Transmission, Brakes, Suspension, and Exhaust)
- Body Work
- Complete Floors
- Electrical Services (Repairs and New L.E.D. Lighting, Stop Signs, etc.)
- Special Project Work (Refurbish Fire Trucks, etc.)

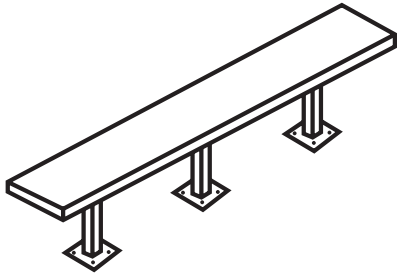
METAL

# ALUMINUM BLEACHERS



Many school districts are faced with old wooden bleacher seating. TCI can replace seating and footboards on existing framework with new aluminum seating that is durable and long lasting. TCI DOES NOT MANUFACTURE, CONSTRUCT OR INSTALL THE FRAMEWORK.

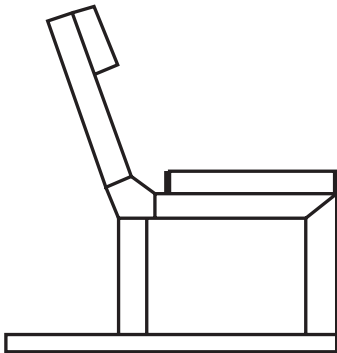
Price does not include installation. This cost is provided upon request.



## BENCH

Manufactured with 10 Ga. stainless steel seat and mounting plate. Pedestals are 4" square stainless steel tubing, spaced 24" apart.

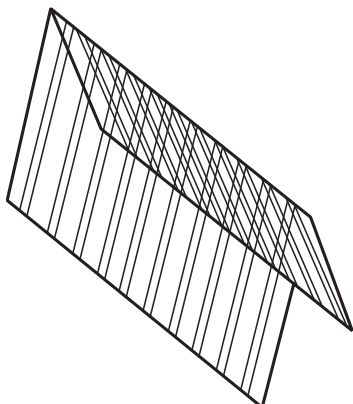
650-06-45120-0	P2-04-1022	12"W x 18"H x 72"L
650-06-45160-6	P2-04-1023	12"W x 18"H x 96"L
650-06-45200-0	P2-04-1024	12"W x 18"H x 120"L



## ALUMINUM MOVABLE SIDELINE BENCH

Seat with backrest.

420-04-211803	BY-04-1029	180"L x 17"H
---------------	------------	--------------



## BICYCLE RACK, FREE STANDING

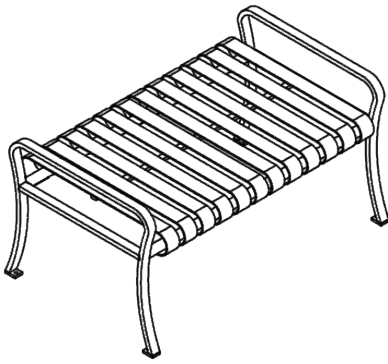
Rack will hold 19 regular size bicycles. Constructed with 1 .25" and .75" schedule 40 galvanized pipe. All welded construction. Approximate weight 144 lbs.

650-10-31190-3	STM-04-1014	36"W x 96"L x 33"H
----------------	-------------	--------------------

METAL

## TENNIS AND PARK BENCHES

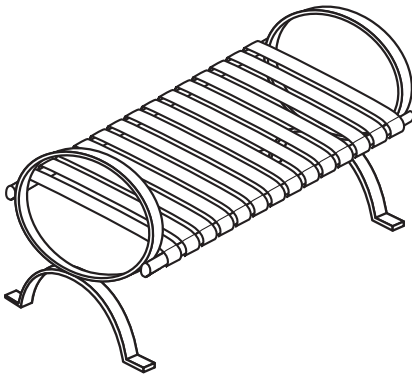
**FINISHED WITH PRIMER COAT AND PAINTED FOR OUTDOOR USE.  
STANDARD PAINT COLOR IS FOREST GREEN EPOXY PAINT.  
CUSTOMER MUST FURNISH SHERWIN WILLIAMS METAL PAINT COLOR CODE  
FOR SPECIAL COLOR AND ADDITIONAL COST MAY APPLY.**



### STANDARD TENNIS BENCH

Commercial construction for heavy duty and public use. Fabricated from 1.5" and 2.5" x .1875" flat bar. Bench seat width 30"

420-04-24140-4	CO-04-1048	4'L
420-04-24150-3	CO-04-1049	6'L
420-04-24160-2	CO-04-1050	8'L



### CIRCLE END TENNIS BENCH

Commercial construction for heavy duty and public use. Fabricated from 1.5" and 2.5" x .1875" flat bar. Bench seat: 30"W

420-04-25260-9	CO-04-1054	4'L
420-04-25270-8	CO-04-1055	6'L
420-04-25280-7	CO-04-1056	8'L



### STANDARD PARK BENCH

Commercial construction for heavy duty and public use. Fabricated from 1.5" and 2" x 2.5" x .1875" flat bar, and 1.25" sch. 40 pipe.

Size: 33.25"H x 18.5"W

650-06-35100-4	CO-04-1045	4'L
650-06-35110-3	CO-04-1046	6'L
650-06-35120-2	CO-04-1047	8'L



### CIRCLE END PARK BENCH

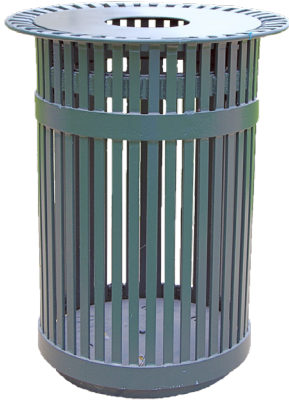
Commercial construction for heavy duty and public use. Fabricated from 2" and 2.5" x .1875" flat bar, .875" round bar and 1.25" sch. 40 pipe.

Size: 34"H x 18.5"W

650-06-36190-4	CO-04-1051	4'L
650-06-36200-1	CO-04-1052	6'L
650-06-35210-0	CO-04-1053	8'L

METAL

## TRASH CANS AND HOLDERS



### SAN ANTONIO STYLE METAL TRASH CAN

Commercial construction for heavy duty and public use. Fabricated from 10 and 14 Ga. metal and .375" flat bar. Removable lid, base predrilled for mounting. Uses 35 gallon trash bag liners (not included). Finished with primer coat and painted for outdoor use. Standard paint color is Forest Green. Metal liner is available for an additional cost.

Size: 20" Round (29" Outside Dimension at Lid) x 37.5"H

450-34-36145-6      MI-04-1038      Flat Lid  
 450-34-36147-2      MI-04-1057      Canopy Lid

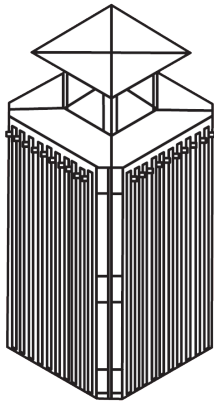


### NEW ORLEANS STYLE METAL TRASH CAN

Commercial construction for heavy duty and public use. Made from 10 and 14 Ga. metal and .375" flat bar. Hinged lid, base predrilled for mounting and includes a sign plate area. Uses 55 gallon trash bag liners (not included). Finished with primer coat and painted for outdoor use. Standard epoxy paint color is Forest Green. Metal liner is available for an additional cost.

Size: 22" Round (30.5" Outside Dimension at Lid) x 42.5"H

450-34-36125-8      MI-04-1036



### METRO STYLE METAL TRASH CAN

Commercial construction for heavy duty and public use. Fabricated from 10 Ga. metal and .1875" flat bar. Front hinged door for easy content removal. Lid (top) is permanently attached. Uses 35 gallon trash bag liners (not included). Finished with primer coat and painted for outdoor use. Standard paint color is Forest Green. Includes metal liner.

Size: 21"W x 21"D x 48"H

450-34-36115-9      MI-04-1037



### TRASH CAN HOLDERS

Post is fabricated from 1.625" outside diameter galvanized pipe 5 ft. long. Assemblies are .1875" thick steel plate attached to pipe sleeves. Both top and bottom holder assemblies are hot dip galvanized and have set screws to fasten brackets to post in a safe and secure manner. The bottom brackets will be of a radius as to accommodate the bottom lip of most standard containers. The bracket to hold receptacle handles covers the top of post serving as a rain cap. 'S' hooks and a #4 twist link chain to secure lids are included.

650-38-10100-5      MI-04-1039      Single  
 650-38-10102-1      MI-04-1040      Double

METAL

## FRYER, CAMPFIRE RINGS, AND GRILLS



### OUTDOOR DEEP FRYER

Includes two stainless steel fry-baskets. Constructed from 10 Ga. carbon steel, 16.75" x 12" x 12" cooking volume. Includes .25" round handles on each side, hinged lid, propane connection to burner tube, and coupling is provided for thermostat. Finish is high-temp black paint.

Size: 19"L x 19"W x 38.635"H

**BY-05-1172**      **With Basket**  
**BY-05-1172NB**      **Without Basket**

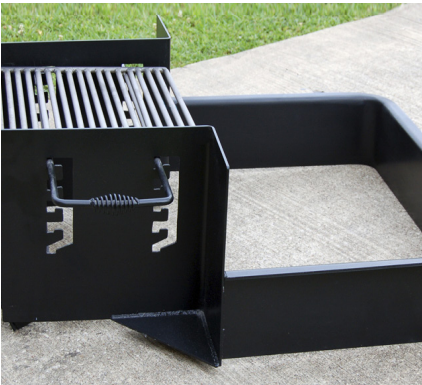


### CAMPFIRE RING

Made from .1875" ASTM A-36 steel plate. A 360 square inches cook top grate constructed of .5" round bar is attached to hinges. The cook top grate opens backwards to allow an unobstructed view of the fire. Cool-coil handle grips. Three heavy legs with spade anchors welded to the ring which will permanently anchor unit to ground. Standard finish is a non-toxic, rust and heat resistant, black enamel.

Size: 32" Diameter, 1" Top Flange, and 7" High Fire Barrier

**650-24-41100-4**      **MI-04-1029**



### CAMPFIRE RING WITH STOVE

Made from .25" ASTM A-36 steel total 759 square inches. The ring is 7"H with a 1" lip. Cooking grill is made from .5" round bar with a surface area of 294 square inches. Grill is adjustable to height of 10" with cool-coil grips. Standard finish is a non-toxic, rust resistant and heat resistant, black enamel.

Size: 15"H x 16"W x 23.375"L

**650-24-76780-1**      **MI-04-1030**



### KETTLE GRILL/FIRE PIT

Constructed from 10 Ga. carbon steel and expanded metal. 27" cooking surface, 4 height adjustments for internal firewood rack, cool grip handle and center drain plug. Cooking surface removes entirely for use as fire pit. Pit is surrounded by 8" expanded metal footrest/shelf. Finish is Hi-Temp black paint.

Size: 46"W x 28"H with 4, 16" High Welded Legs

**650-24-002129**

METAL

## GRILLS



### ROTATING GRILL

Cooking grate is made from .5" round bar. Cooking area is 272 square inches. Grill is adjustable from 3" to 10" above firebox. Firebox rotates 360°. Pedestal is 2" Schedule 40 pipe 40" to 45" high for stationary mounting in concrete. Cool-coil wrapped grips on each handle. Utility shelf is made from .1875" steel plate and measures 8.625" by 19.625". Standard finish is a non-toxic, rust and heat resistant, black enamel.

Size: 20"L x 15"W x 10"H

650-24-45120-8	MI-04-1031	No Shelf, No False Bottom
650-24-45140-6	MI-04-1032	W/Shelf, W/False Bottom
650-24-45160-4	MI-04-1033	No Shelf, W/False Bottom
650-24-45180-2	MI-04-1034	W/Shelf, No False Bottom



### BBQ SMOKER/GRILL

Constructed from 10 Ga. carbon steel, 6 sq. ft. expanded metal cook surface in smoker, 2.625 sq. ft. of cook surface in firebox. Smoker/Grill includes cool grip wire handles, damper controlled firebox, utensil hooks, grease drain, and threaded mounting hole in front of lid for thermometer (\*not provided, hole is filled with a threaded plug). Finish is high-temp black paint.

Size: 32"D x 75"L x 77"H

Firebox: 21" x 18". Stainless steel work surface: 7" x 36"

**BY-06-1288**



### MINI BBQ-GRILL

BBQ-Grill is 5" wide expanded metal work surfaces on front and sides. Constructed from 10 Ga. carbon steel, 15" x 20" expanded metal cook surface. Includes cool grip wire handles upper and lower air damper, clean-out door on left side. Finish is high-temp black paint.

Size: 34"D x 20.75"L x 18.75"H

**BY-06-1289**



### TEXAS EDITION GRILL

Constructed from 10 Ga. carbon steel with a 19" diameter firebox and steel work surface. Flattened expanded metal grills and shelves. Smoker/Grill includes cool grip wire handles, damper controlled firebox, utensil hooks, grease drain, and threaded mounting hole in front of lid for thermometer (thermometer not provided, hole is filled with a threaded plug). Finish is high temp black paint

Size: 32"D x 70"L x 64"H

**CO-18-4869**

# LANERN HOLDERS AND PICNIC TABLES



## LANERN HOLDERS

Post is fabricated from 2" I.D. galvanized pipe with .1875" galvanized end caps and .5" diameter galvanized round bar open eye hooks welded in place. All welds are touched up with cold galvanizing compound to prevent rust. Grade height: 94". Center line of hook height: 80". Post installation depth is 33".

Size: 127"H

<b>650-38-12100-3</b>	<b>MI-04-1041</b>	<b>Single</b>
<b>650-38-12102-9</b>	<b>MI-04-1042</b>	<b>Double</b>



## VISITATION TABLE WITH ROOF

The frame of this visitation table is fabricated from 1.625" outside dimension, galvanized pipe with a minimum wall thickness of .110" and a minimum weight of 1.4 lbs. per foot. Walk in design; with pipe rolled on 7.25" centering radius at points below seat and at bottom of table top. Cross-bracing is used for rigidity. Two .1875" x 1" x 1' steel anchor legs per table are available. Legs are bent at 90° angles for adequately anchoring table to concrete bases. Lumber is pressure wolmanized #1 yellow pine S4S and is furnished with each table with predrill holes. Roof is made with corrugated fiberglass panels. Table is shipped assembled with the exception of the roof.

Size: Seat: 18"H Table: 30"H Table Top: 29"W

<b>680-72-84040-5</b>	<b>STM-04-1004</b>	<b>4'L</b>
<b>680-72-84050-4</b>	<b>STM-04-1005</b>	<b>5'L</b>



## PICNIC TABLE

The frame of this picnic table is fabricated from 1.625" outside dimension, galvanized pipe with a minimum wall thickness of .110" and a minimum weight of 1.4 lbs. per foot. It is a walk in design; with pipe rolled on 7.25" centering radius at points below seat and at bottom of table top. Cross-bracing is used for rigidity. Two .1875" x 1" x 1' steel anchor legs per table are available upon request. Legs are bent at 90° angles for adequately anchoring table to concrete bases. Lumber is pressure wolmanized #1 yellow pine S4S and is furnished with each table with predrill holes. Picnic tables are a non-tilting type for safety and are shipped unassembled.

Size: Seat: 18"H Table: 30"H Table Top: 29"W

<b>650-36-33175-2</b>	<b>STM-04-1003</b>	<b>6'L</b>
<b>650-36-33225-5</b>	<b>STM-04-1002</b>	<b>8'L</b>
<b>650-36-33230-5</b>	<b>STM-04-1090</b>	<b>8'L ADA</b>

METAL



## PICNIC TABLES



### PICNIC TABLE

This 3' x 3' with four seats heavy duty metal table is perfect for outside use. The expanded metal top and seats allow debris and liquids to drain and limits writing of graffiti. Manufactured from .1875" steel plate, and 2" 11 gauge square tubing for durability. Top is 36" square with four 30"L x 10"W seats. Enamel paint, standard in Forest Green. Other colors available upon request. Customer must furnish Sherwin Williams metal paint color code for special color requests and additional cost may apply.

Size: 3' X 3'

650-36-31090-5

CO-04-1041



### PICNIC TABLE

This heavy duty metal table is perfect for outside use. The expanded metal top and seats allow debris and liquids to drain and limits writing of graffiti. Manufactured from 2.5" flat bar, .1875" steel plate, 1" angle and 2" 11 gauge square tubing for durability. Enamel paint, standard in Forest Green. Other colors available upon request. Customer must furnish Sherwin Williams metal paint color code for special color requests and additional cost may apply.

Size: Table top: 72"L x 34"W x 30"H

Bench seats: 72"L x 10"W x 18"H

650-36-32100-1

CO-04-1042

2 Bench Seats

650-36-32125-8

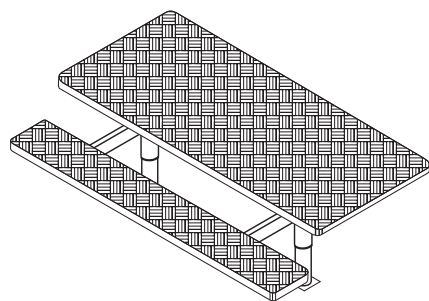
CO-04-1042

2 Bench Seats and  
1 End Seat

650-36-32150-6

CO-04-1042

2 Bench Seats and  
1 End Seat



### PICNIC TABLE WITH LEG ASSEMBLY AND EMBED ADA ACCESSIBLE

Table top and seats are manufactured with .1875" x .75" flat bar grating and .375" x 2" flat bar edged to limit graffiti and debris. Table is mounted on 4" diameter standard weight pipe that inserts into the 5" diameter standard weight pipe embed. The one seat is attached to the two table legs with .1875" x 2" x 2" angle clip and C4 x 5.4 channel seat mount. PRIMED ONLY.

650-36-36200-5

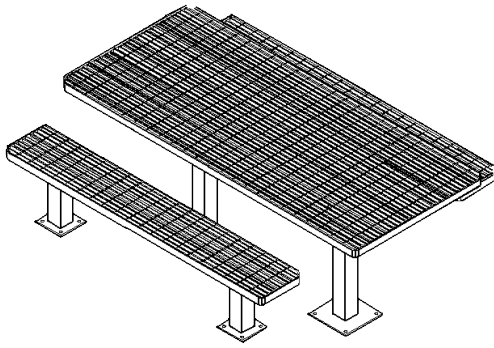
MI-04-1027

8'L

METAL



## PICNIC TABLES

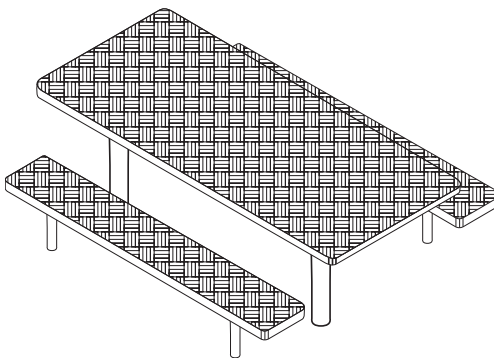


### PICNIC TABLE WITH LEG ASSEMBLY AND MOUNTING PLATES

Table top and seats are manufactured with .1875" x .75" flat bar grating and .375" x 2" flat bar edged to limit graffiti and debris. Table and seats are mounted on 4" square tubing with .25" steel plate base plates. PRIMED ONLY.

Size: 7'L x 36"W Benches: 6'L

650-36-34150-4 MI-04-1028

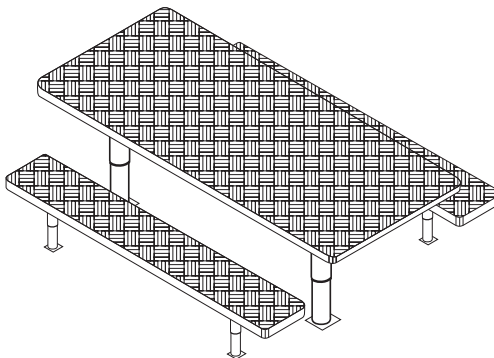


### PICNIC TABLE WITHOUT LEG ASSEMBLY

Table top and seats are manufactured with .1875" x .75" flat bar grating and .375" x 2" flat bar edged to limit graffiti and debris. 2.5" diameter schedule 40. Pipe is welded to table and seat tops to utilize setting into existing embed. PRIMED ONLY.

Size: 8'L x 36.75" W

650-36-34155-3 MI-04-1024

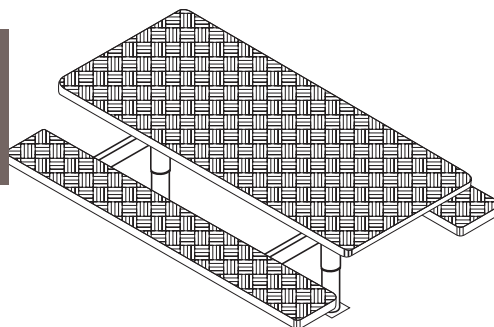


### PICNIC TABLE WITH LEG ASSEMBLY AND EMBED

Table top and seats are manufactured with .1875" x .75" flat bar grating and .375" x 2" flat bar edged to limit graffiti and debris. Table and seats are mounted on 4" diameter standard weight pipe that insert into the 5" diameter standard weight pipe embed. PRIMED ONLY.

Size: 8'L x 36.75"W

650-36-35150-3 MI-04-1025



### PICNIC TABLE WITH LEG ASSEMBLY AND EMBED

Table top and seats are manufactured with .1875" x .75" flat bar grating and .375" x 2" flat bar edged to limit graffiti and debris. Table is mounted on 4" diameter standard weight pipe that inserts into the 5" diameter standard weight pipe embed. The seats are attached to the two table legs with .1875" x 2" x 2" angle clip and C4 x 5.4 channel seat mount. PRIMED ONLY.

Size: 8'L x 36.75" W

650-36-36100-7 MI-04-1026

METAL

## SINKS AND TABLES



### COMPARTMENTAL SINK TABLE

Includes right and left drain boards. 14 Ga. stainless steel top and back splash construction, 24" by 24" sinks with faucet and lever drains, 1.625" diameter legs and rails, and adjustable bullet feet.

Size: 192"L x 30"W x 36"H  
240"L x 30"W x 36"H

165-05-79200-8      BY-04-1006      2-Compartment  
165-05-79300-6      BY-04-1007      3-Compartment



### MOBILE BUTCHER TABLE WITH POLYBRITE® TOP

14 Ga. stainless steel top construction with .75" poly cutting boards, 1.625" diameter legs and rails, adjustable bullet feet and 16 Ga. stainless steel under shelf.

Size: 120"L x 36"W x 36"H

160-77-65360-4      BY-04-1010

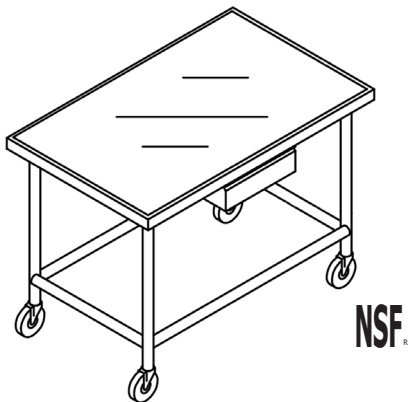


### BAKER'S TABLE WITH RICHLITE® TOP

1.25" thick Richlite® top construction 1.625" diameter legs and rails, adjustable bullet feet, 6" back splash on sides and back and 14 Ga. full front dough trough.

Size: 96"L x 36"W x 36"H

090-88-28125-9      BY-05-1165



### MOBILE WORKTABLE WITH DRAWER

14 Ga. SSTL top, 15"W x 20"L x 5"H drawer, 1.625" diameter SSTL legs and cross rails with 5" stem casters.

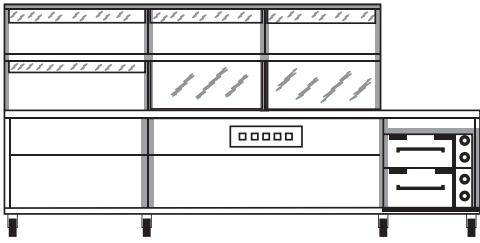
Size: 48"L x 30"W x 36"H

165-05-830600      BY-04-1013

METAL

# SERVING COUNTERS, BEVERAGE TABLE, AND WORKTABLES

## MOBILE SERVING COUNTER TABLE



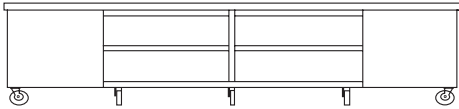
Tray slide, sneeze guard, five hot food warmers, frost top unit and two heated drawers. 14 Ga. SSTL counter top and tray slide. Bottom shelf and serving shelf/sneeze guard is 16 Ga. SSTL. All body panels are 18 Ga. SSTL.

Size: 151"L x 46"W x 34"H

165-05-33150-0      BY-04-1018

NSF<sup>®</sup>

## MOBILE BEVERAGE TABLE



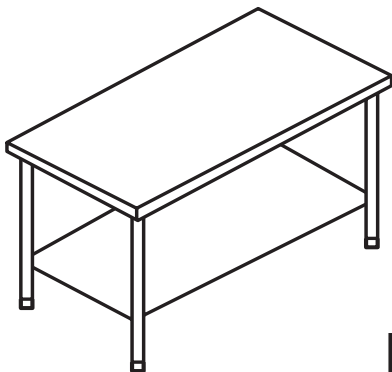
Cashier counter with tray slide. Top tray slide and channel supports are 14 Ga. SSTL, body panels are 18 Ga. and bottom shelf is 16 Ga. construction.

Size: 144"L x 46"W x 34"H

165-05-34140-0      BY-04-1019

NSF<sup>®</sup>

## WORKTABLE WITH UNDERSHELF



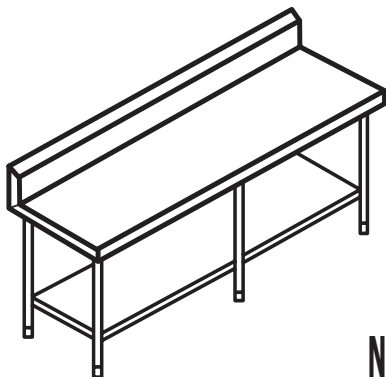
14 Ga. SSTL top with 16 Ga. SSTL shelf and legs. Adjustable bullet feet included.

Size: 60"L x 30"W x 36"H

165-05-83060-0      BY-04-1012

NSF<sup>®</sup>

METAL



## WORKTABLE WITH BACKSPLASH AND MARINE EDGE

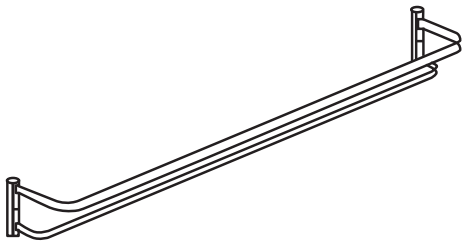
14 Ga. SSTL top with 16 Ga. SSTL shelf and legs. Adjustable bullet feet included.

Size: 120"L x 30"W x 36"H

165-05-82120-3      BY-04-1011

NSF<sup>®</sup>

## POT RACK, CABINET, SHELVING, AND RACK



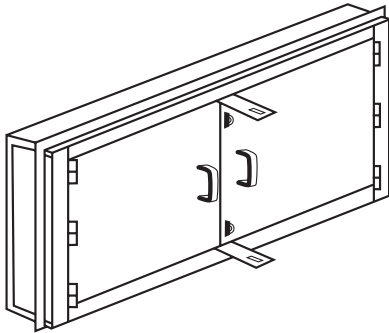
### STAINLESS STEEL WALL MOUNT POT RACK

Holds 18 double pot hooks. 2" x .25" thick SSSL flat bar, fully welded to 1.25" sq. .125" thick SSSL tubing frame. .375" diameter. Six hole places provided for mounting. 18 double end S/S pot hooks provided.

Size: 16"H x 96"L

165-70-57180-8

BY-04-1005



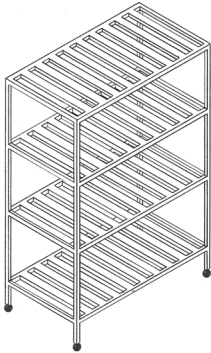
### LOCKING KNIFE CABINET

Stainless Steel

Size: 36"L x 24"H x 5"D

165-05-27360-3

BY-04-1023



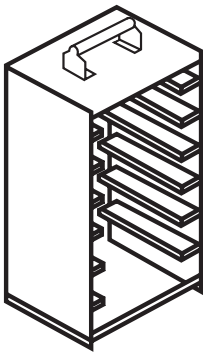
### ALUMINUM STORAGE SHELVING

1.5" x 1.5" x .125" thick aluminum tubing frame with 2' x 2" x .125" thick aluminum T-Bar cross rails.

Size: 60"L x 30"W x 36"H

165-88-24120-4

BY-04-1000



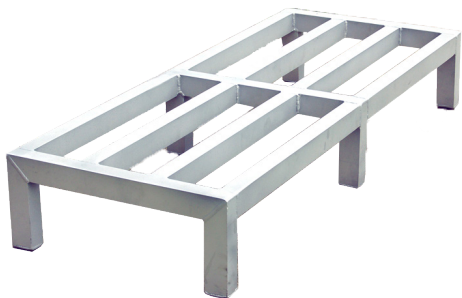
### SLOT TRAY CARRIER

Aluminum, made for standard TCI plastic trays, found on page 71.

Size: 14.25"W x 11"D x 28.75" H

165-68-15070-6

BY-04-1021



### ALUMINUM DUNNAGE RACK

Fully welded 1.5" x 2" x .125" thick aluminum tubing with light bead blast finish.

Size: 48"L x 20"D x 8"H

165-37-18265-7

BY-04-1003

## ROLLING PIN, PADDLE, CART, RACK, AND SHELVING



### ALUMINUM ROLLING PIN

.25" wall aluminum tubing, 1.3125" diameter. Handle is 1' Sch. 40 aluminum pipe.

Size: 28"L x 3.5" Diameter

090-60-27280-5      BY-04-1027



### ALUMINUM STIR PADDLE

Sch. 40 aluminum pipe for handle and 10 Ga. aluminum paddle. .125" formed aluminum paddle head. There are eight each .75" holes and four each 1" holes on center line of paddle.

Size: 53"L x 6.5"W x 1.25"

24"L x 4.5"W x .75"

240-07-49530-2      BY-04-1025      53" Paddle

240-07-49240-8      BY-04-1028      24" Paddle



### ALUMINUM MOBILE SILVERWARE CART

Holds 12 standard plastic inserts. .125" thick 1" aluminum square tubing frame. Top and bottom shelf is 14 Ga. aluminum. Includes 5" swivel stem casters with brake and 12 plastic utensil inserts.

Size: 32"W x 20.5"D x 42"H

165-07-26125-9      BY-04-1022

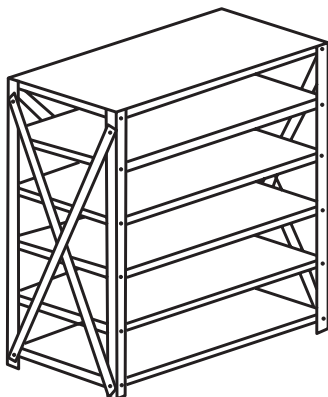


### ALUMINUM MOBILE DUNNAGE RACK

1.5" x 2" x .125" thick aluminum tubing, removable handle is 1.5" schedule 40 aluminum pipe, with keeper pins. Swivel plate casters.

Size: 48"L x 20"D x 8"H

165-37-18270-7      BY-04-1004



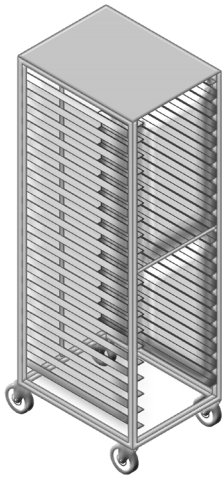
### STORAGE SHELVING

Shelves have 10 Ga. formed sheet metal legs, 16 Ga. sheet metal shelves and .125" x 1.25" flat bar back bracing. Includes a finish paint coat of gray epoxy.

Size: 36"W x 75"H x 18"D

450-08-78360-2      CO-04-1087

# PAN RACK, SHELVING, AND CABINET

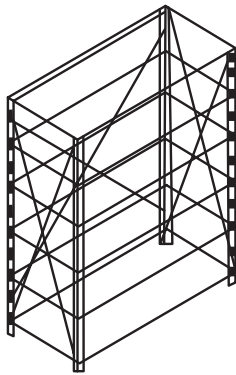


## 12 AND 20 PAN MOBILE BUN PAN RACK

Rack frame is constructed of 1" x 1" x .125" thick wall aluminum tubing with 3"-5" space between runners. Solid top and runners are constructed of 14 Ga. aluminum, includes 5" swivel stem casters with brake. .5" diameter aluminum bar rear stop and .5" diameter aluminum bar front support. 1" x 4" angles for slides, .080" thick type 5052 aluminum. Bar provided for rear stop and front support.

Size: 20.5"L x 26"D x 70"H 12 Bun Pan Rack  
 20.5"L x 26"D x 69"H 20 Bun Pan Rack

**165-69-47120-0**      **BY-04-1001**      **12 Bun**  
**165-69-47200-0**      **BY-04-1002**      **20 Bun**

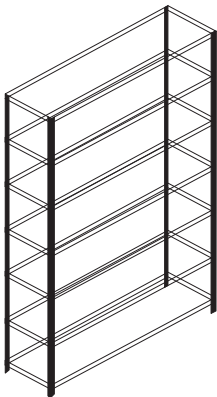


## ADJUSTABLE SHELVING

Sides made from 10 Ga. steel 2" x 2" angle legs, 14 Ga. steel shelves, with 12 Ga. steel bracing. All welded construction. Includes a finish paint coat of gray epoxy.

Size: 56"W x 25"D x 72"H

**450-08-70145-5**      **STM-04-1019**

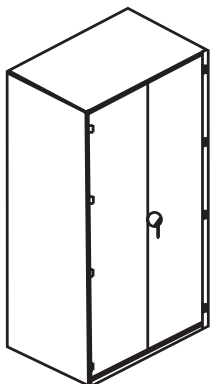


## LINEN SHELVING

Sides made from 10 Ga. steel shelves are made from 12 Ga. steel. All welded construction. Textured or smooth style finish, please specify. Includes a finish paint coat of gray epoxy.

Size: 48"W x 14"D x 76"H

**450-08-72175-0**      **STM-04-1018**



## FOOTLOCKER/STORAGE CABINET

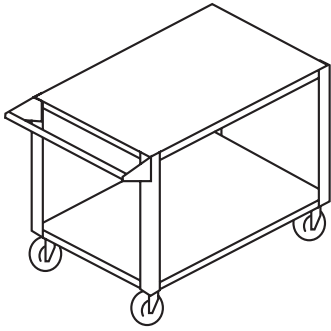
Manufactured with 14 Ga. sheet metal shell and doors with 16 Ga. back panel and shelves. Includes a padlocking handle, 10 Ga. sheet metal locking cam and .375" locking bars. Typical location of shelves is 13" apart. Includes a finish paint coat of gray epoxy.

Size: 36"W x 24"D x 78"H

**425-89-49110-1**      **STM-04-1017**  
**425-89-49112-7**      **STM-04-1102** 6 Adj. Shelves

METAL

## CART, GUARDS, AND MAILBOX BRACKETS

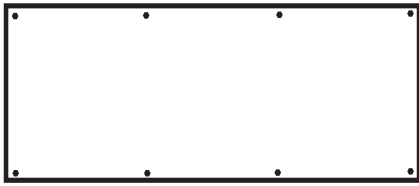


### PUSH CART

2-Tier Stainless Steel

Size: 36"D x 24"W x 32"H

560-02-56200-9      BY-04-1024



### DOOR KICK PLATE

Stainless Steel

Size: 13"H x 34"L

450-36-85130-6      BY-04-1043



### CORNER GUARD

Stainless Steel

Size: 36"H (4-.5" x 4-.5" Angle)

450-36-84100-0      BY-04-1042



### MAILBOX ADAPTER PLATE

Constructed of 12 Ga. galvanized steel. Used to reinforce mounting bracket (BS-01473).

Size: 4" x 15"

450-57-54165-3      BS-01475

DHT 3789 (Texas Department of Transportation)



### MAILBOX ANGLE

Constructed of 14 Ga. galvanized steel. Used to mount the mounting bracket (BS-01473) to round poles.

Size: 2" x 3"

450-57-25105-5      BS-01472

DHT 2917 (Texas Department of Transportation)

## MAILBOX BRACKETS



### MAILBOX TYPE "A" BRACKET

Constructed of 12 Ga. galvanized steel. Used to mount the mounting bracket (BS-01473) to a breakaway pole.

**450-57-25800-1**      **BS-00975**      **12 Bun**  
DHT 159489      (*Texas Department of Transportation*)



### MAILBOX TYPE "B" BRACKET

Constructed of 12 Ga. galvanized steel. Used to mount the mounting bracket (BS-01473) to a breakaway pole.

**450-57-25802-7**      **BS-00976**  
DHT 159490      (*Texas Department of Transportation*)

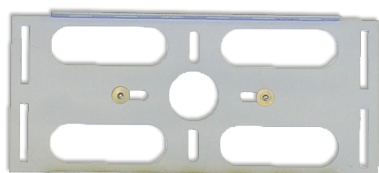


### MAILBOX EXTENSION BRACKET

Constructed of 14 Ga. galvanized steel. Used in conjunction with mounting bracket (BS-01473) to mount larger multiple mailboxes.

Size: 14" x 3.75"

**450-57-25300-2**      **BS-01474**  
DHT 148938      (*Texas Department of Transportation*)



### MAILBOX MOUNTING BRACKET

Constructed of 14 Ga. galvanized steel. Connects to bottom of mailbox to mount to top of post or pole.

Size: 14" x 6"

**450-57-25225-1**      **BS-01473**  
DHT 148939      (*Texas Department of Transportation*)

## FENCING AND WIRE



### ORNAMENTAL FENCING

Constructed with all carbon steel square tubing. Panels are custom made to match existing panels, or to the customer's specifications. The basic fence panel consists of 1.5" - 14 Ga. horizontal rails, .75" - 16 Ga. vertical pickets, 2" - 14 Ga. line posts, and 3" 14 Ga. pull posts. Panels are painted with industrial enamel paint. Electric gate openers and operators can be supplied, however, TCI does not perform the electrical hook-up.

Price does not include installation. This cost is provided upon request.

**\*Call Customer Service for Ordering Information.**



### CHAIN LINK FENCE

9 Ga. or 6 Ga. galvanized 1.2 oz./sq. ft. Type II - Class I 2" between Parallel Wires Knuckled and/or Twisted Selvage available.

Price does not include installation. This cost is provided upon request.

Available Heights: 3', 4', 5', 6', 7', 8', 10', 12', 14', 16', 20'

**\*Call Customer Service for Ordering Information.**



### BARBED WIRE

12.5 gauge Zinc coated (Galvanized) Class III Double Strand, Twisted Barb: 14 gauge, (Galvanized) Class III 4 point barb, approximately 4" to 5" spacing, 1,320 feet per roll. 80 rods

Price does not include installation. This cost is provided upon request.

**\*Call Customer Service for Ordering Information.**



### RAZOR WIRE

Manufactured utilizing 1" wide x .023" thick 304 stainless steel tape, cold clenched over .098" diameter 304 stainless steel wire in accordance with standard specifications ASTM F 1910. Razor wire is single coil, 24" or 30" diameter with 2.5" barbs on 4" centers. There are 52 coils per roll for a deployment length of 25 ft.

Price does not include installation. This cost is provided upon request.

**\*Call Customer Service for Ordering Information.**

# CELL DESK, SHELF, STOOL, AND STORAGE BOX



## CELL DESK

This desk is all .1875" steel plate, all welded construction. PRIMED ONLY.

Size: 16"W x 24"D    Administrative Segregation (Ad Seg)  
          36"W x 24"D    General Population (G. P.)

680-72-34160-2        MI-04-1001    Ad Seg  
680-72-34360-8        MI-04-1006    G.P.



## G. P. CELL SHELF

This shelf is all .1875" steel plate, all welded construction. PRIMED ONLY.

Size: 9"D x 18"L

680-72-74180-1        MI-04-1017

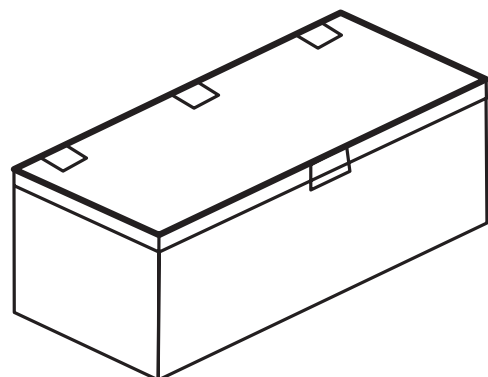


## FLOOR MOUNTED CELL STOOL

Manufactured with 14 Ga. SSTL seat top, 2" sch. 40 pipe and includes an 8" x 8" x .25" base plate for mounting. PRIMED ONLY.

Size: 18"H

680-72-77265-7        MI-04-1000



## STORAGE BOX

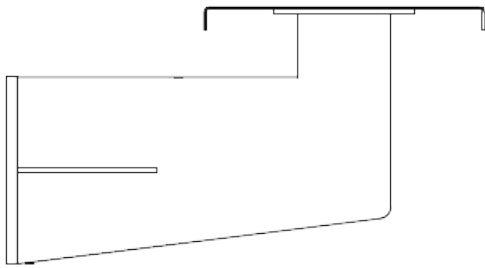
Manufactured with 10 Ga. sheet metal, 2" x 2" butt-weld hinges and a heavy duty angle iron lock hasp. PRIMED ONLY.

Size: 12"H x 12"D x 27"L

680-72-20120-2        MI-04-1054

METAL

## WALL MOUNTED CELL STOOLS AND LIGHT FIXTURES

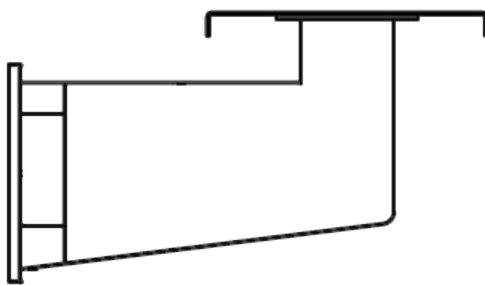


### WALL MOUNTED CELL STOOL

Manufactured with .5" steel plate, .25" steel plate gussets, and .25" mounting plate for the 14 Ga. stainless steel seat top. PRIMED ONLY.

Base: 3.5" x 8"

680-72-77975-1 MI-04-1020

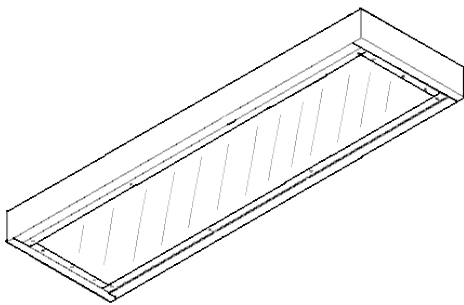


### WALL MOUNTED SWINGING CELL STOOL

Manufactured with .5" steel plate and .25" mounting plate for the 14 Ga. stainless steel seat top. Base swings from wall on a hinge made from 1" and 1-.25" sch. 40 pipe. PRIMED ONLY.

Base: 6"

680-72-77920-7 MI-04-1019



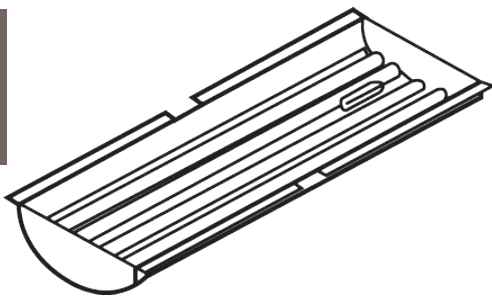
### SURFACE MOUNT LIGHT FIXTURE

Shell and ends are manufactured with 12 Ga. sheet metal. Fixture has .5" Lexguard Prismatic diffuser with 1.5" x 47.875" x .75" continuous piano hinge. Paint finish is white baked on enamel. Shell only. Does not contain any electrical components.

Size: 12.75"W x 48.75"L

680-72-31205-8 CO-04-1018

METAL



### CHASE MOUNTED CELL LIGHT

Energy efficient chase mounted cell light fixture single instant start electronic ballast - four-T8 bulbs (32 watts parallel wired, multi voltage (120-277V) compact fluorescent night light (3 watts) baked-on white enamel paint finish. Shell only. Does not contain any electrical components.

Size: 48"L x 20:D x 8"H

680-72-31210-8 CO-04-1017

## DAYROOM AND DINING TABLES



### 4 MAN DINING/DAYROOM TABLE

42" octagonal x 30"H with 18" x 18" mounting plate. Top is constructed from 11 Ga. SSSL. 12" diameter, formed 14 Ga. SSSL seats are attached with 2" Sch. 40 pipe. Center pedestal is 3.5" schedule 40 pipe with 18" x 18" x .375" steel plate for anchoring to floor. PRIMED ONLY.

Size: 72"L x 30"W x 30"H

680-72-81215-6

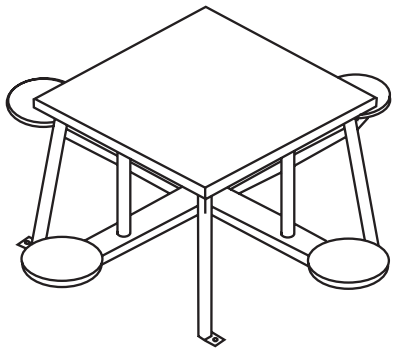
MI-04-1021

Pipe Frame

680-72-81220-6

MI-04-1012

Square Tubing  
Frame



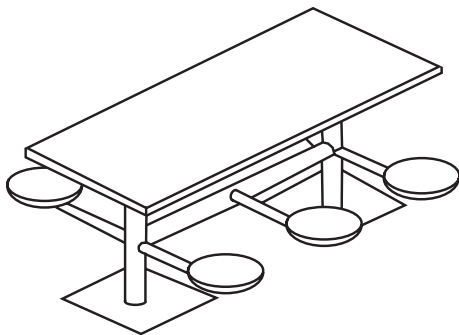
### 4 MAN DAYROOM TABLE

Top is constructed from 11 Ga. SSSL. 12" diameter formed 14 Ga. SSSL seats are attached with 1.5" sch. 40 pipe and C5 x 6.7 C Channel. Legs are manufactured with 1.5" Sch. 40 pipe with 2.375" x 2" x 4" flat bar with .625" diameter holes for anchoring to floor. PRIMED ONLY.

Size: 36" sq. top x 36"H

680-72-83180-0

MI-04-1047



### 6 MAN DINING TABLE

Top is constructed from 11 Ga. SSSL 12" diameter, formed 14 Ga. SSSL seats are attached with 2" sch. 40 pipe. Pedestals are 3.5" sch. 40 pipe with 18" x 18" x .375" steel plate for anchoring to floor. PRIMED ONLY.

Size: 72"L x 30"W x 30"H

680-72-82250

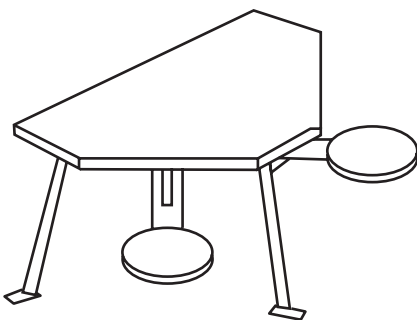
MI-04-1049

Pipe Frame

680-72-82255

MI-04-1013

Square Tubing  
Frame



### 2 MAN DINING TABLE

Top is constructed from 11 Ga. SSSL 12" diameter, formed 14 Ga. SSSL seats are attached with C-Channel and sch. 40 pipe. Legs are 1.5" Sch. 40 pipe with 2" x 4" x .375" feet for anchoring. PRIMED ONLY.

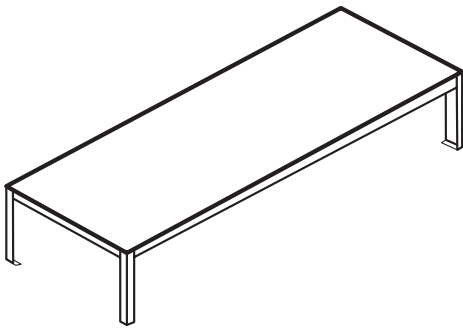
Size: 47"L x 30"W x 30"H

680-72-80190-2

MI-04-1046

METAL

## FLOOR AND WALL MOUNTED BUNKS

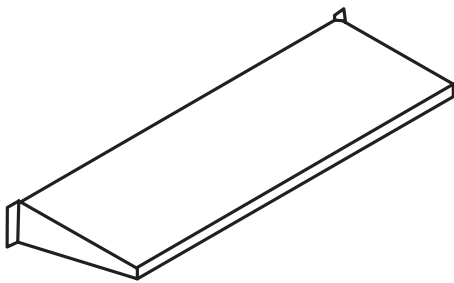


### SINGLE BUNK, FLOOR MOUNTED

No locker. Bed pan is manufactured with 10 Ga. sheet metal with the bed pan edge turned down. Legs are manufactured with 1.5" x 1.5" x .1875" angle. Includes 2" x 4" x .375" base plate on legs with .625" diameter holes for anchoring. PRIMED ONLY.

Size: 27.875"W x 16"H x 76.75"L

680-72-25200-7      MI-04-1002

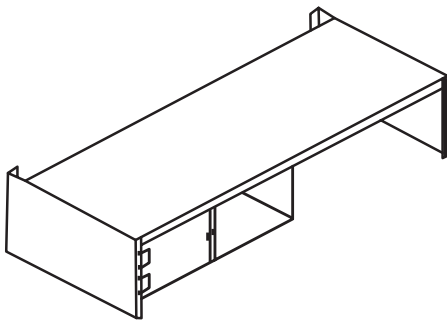


### WALL MOUNTED BUNK

27" bed pan manufactured with .1875" steel plate bed pan and end gussets. Bunk extends 1" from wall. PRIMED ONLY.

Size: 36" sq. top x 36"H

680-72-25660-2      MI-04-1018

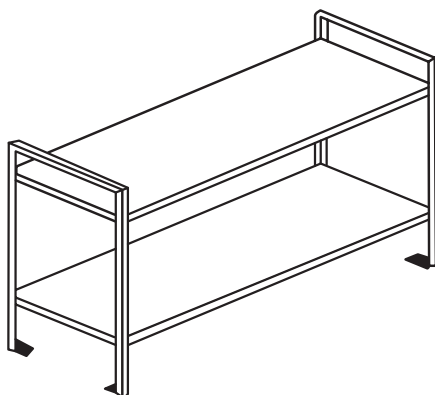


### AD SEG LOWER BUNK

Bed pan manufactured with .1875" steel plate bed pan and end panels, 10 Ga. locker box and shelf, with .1875" plate door on locker. Bunk sits 4" away from wall. PRIMED ONLY.

Size: 31.5"D x 63"L x 27.1875"W

680-72-25050-6      MI-04-1015



### DOUBLE BUNK, FLOOR MOUNTED

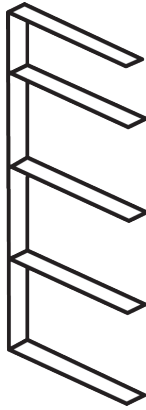
No ladder or lockers. Bed pan is manufactured with 10 Ga. sheet metal with the bed pan edge turned down. Legs are manufactured with 1.5" x 1.5" x .1875" angle. Includes 2" x 4" x .375" base plate on legs with .625" diameter holes for anchoring. PRIMED ONLY.

Size: 47"L x 30"W x 30"H

680-72-25100-9      MI-04-1003

METAL

# LADDER, LOCKER BOX, BUNK DESK, AND CHASE WALL

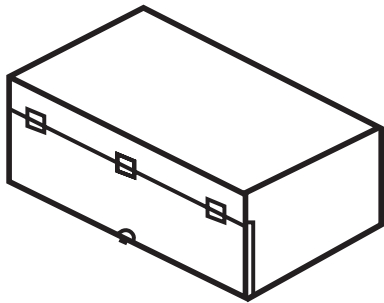


## DOUBLE BUNK, OPTION LADDER

Manufactured with 2" x .375" flat bar. PRIMED ONLY.

Size: 13.75"W x 42.75"H

680-72-25140-5      MI-04-1004

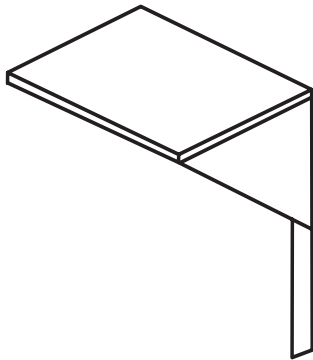


## LOCKER BOX OPTION - DOUBLE/SINGLE BUNK

Manufactured with 14 Ga. sheet metal, 2" x 2" butt hinges, and 1" x 2" x .1875" steel plate for locking. PRIMED ONLY.

Size: 12"H x 16"D x 28"W

680-72-25160-3      MI-04-1005

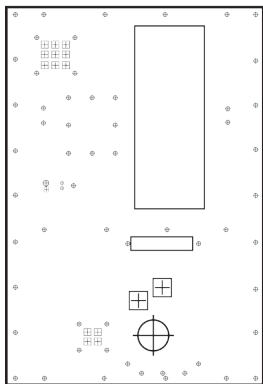


## SINGLE BUNK OPTION, WELD-ON DESK

Manufactured from 10 Ga. sheet metal with 1" lip turned down. Desk is welded to .25" plate which is anchored to 2" x 2" x .1875" angle and a 10 Ga. gusset. The desk welds onto the front leg of the bed on either the right or left side. PRIMED ONLY.

Size: 16"W x 20"L

680-72-25215-5      MI-04-1016



## STAINLESS STEEL CHASE WALL

Special made, or ADA chase walls are also available. Contact TCI Customer Service for design and pricing.

Size: 60"W x 95"H

680-72-92060-3      P2-04-1000

METAL

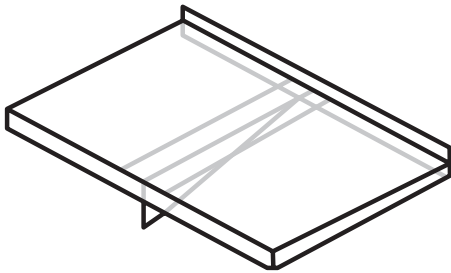
# CLOTHES HOOK, WALL MOUNT, FOOD PASS DOOR, AND BENCH



## CLOTHES HOOK

Stainless Steel Safety.

680-72-43100-7      P2-04-1025

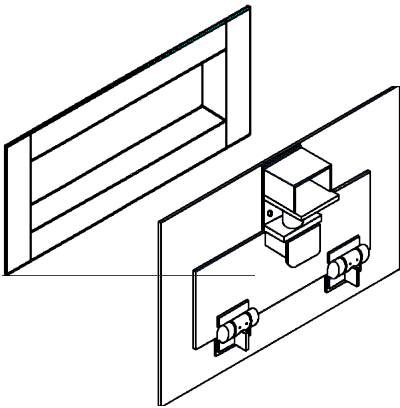


## TV STAND, WALL MOUNTED

Manufactured with .1875" steel plate bottom and 2" lip and shelf return, and .25" steel plate support and center brace. PRIMED ONLY.

Size: 36"W x 24"D

680-72-87780-3      MI-04-1048

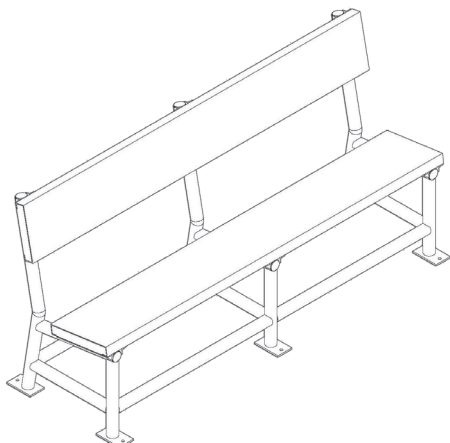


## FOOD PASS KIT DOOR

TCI manufactured spring loaded food pass latch (110 lbs. Compression) weld-on hinges with stops and all .1875" steel plate construction. Kit also includes 10 Ga. sheet metal backing plate. PRIMED ONLY.

Size: Face plate is 16" x 24" with 5" x 16" Opening

680-72-41175-1      CO-07-1645      Food Pass Kit  
CO-04-108      Backing Plate  
7" x 18" Outside  
5" x 16" Inside



## MEDICAL/DAYROOM BENCH

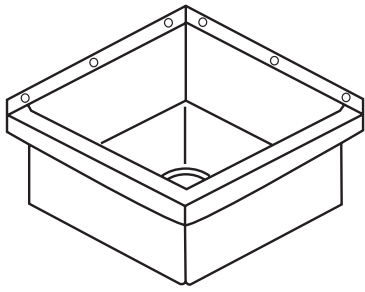
Frame is manufactured with 1.5" I.D. pipe, with 1" x 1" x .1875" angle welded to seat and back. Seat and back is manufactured from 10 Ga. formed steel. Bench also has 3" x 5" x .25" plate "feet", with .5" diameter hole, so bench can be anchored to floor. PRIMED ONLY.

Size: 6' and 8' long

680-72-17120-7      CO-04-1081      6'  
680-72-17160-3      CO-04-1082      8'

METAL

# MOP SINK, GAS PORTS, AND MIRRORS

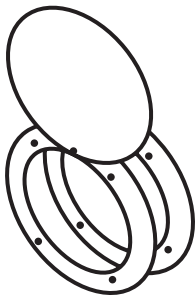


## MOP SINK, CORNER MOUNT

Stainless Steel

Size: 24"D x 24"W x 10"H

165-79-49240-2      BY-04-1028

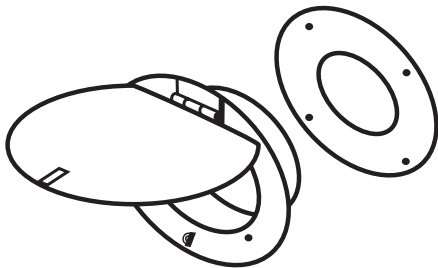


## GAS PORT

Stainless Steel 4" Opening

Size: 4" Opening Inmate Side - 6" Opening Outside

430-36-47040-9      BY-04-1044

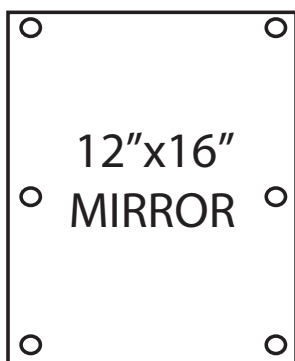


## LOCKING GAS PORT

Stainless Steel 4" Opening.

Size: 4" Opening Inmate Side - 6" Opening Outside

430-36-47045-8      BY-04-1045



## MIRRORS

Lexan Mirror manufactured with six mounting holes.

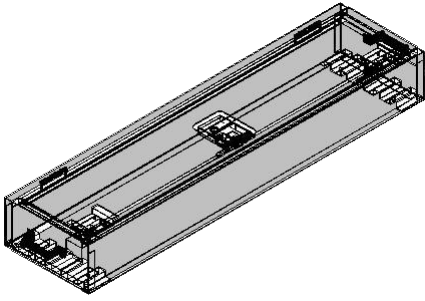
Stainless Steel Mirror manufactured with 14 Ga. SSTL with 6 mounting holes.

Size: 12"W x 16"H

420-73-35120-9      P2-04-1029      Lexan  
420-73-35125-8      P2-04-1028      Stainless Steel

METAL

## RIFLE AND GUN BOXES



### RIFLE BOX

Manufactured with 14 Ga. metal, divided for four rifles (customer to specify if more or less required). This rifle box has recessed keyed two point latch assembly and two hydraulic dampers to hold door when opened. Primed only.

Size: Custom sizes available

**680-52-32100-4**      **STM-05-1070**

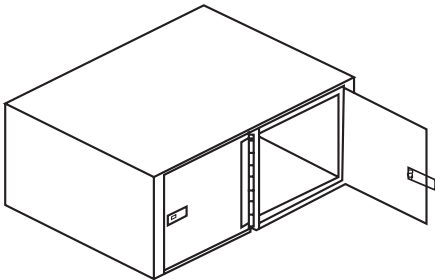


### GUN BOX

On Pole - manufactured with 10 Ga. sheet metal shell and door, box seal, weather cap is 12 Ga. sheet metal. .75" 16 Ga. square tubing door seal with .5" diameter round bar locking bar and handle. Box is mounted on 3" Sched. 40 galvanized pipe.

Size: 12" W x 12"D x 48"H. Pole length is 72

**680-52-32120-2**      **STM-04-1021**

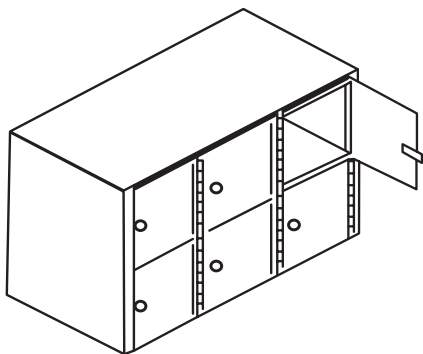


### GUN BOX, 2 COMPARTMENT

Manufactured with 12 Ga. steel and .125" x .5" x .5" angle iron interior bracing. The doors are attached with a piano hinge, and utilizes a single keyed security lock. Painted with gray epoxy paint.

Size: 12"D x 17"W x 8.25"H

**680-52-32130-1**      **CO-04-1102**



### GUN BOX, 6 COMPARTMENT

Manufactured with 12 Ga. steel and .125" x .5" x .5" angle iron interior bracing. The doors are attached with a piano hinge, and utilizes a single keyed security lock. Painted with gray epoxy paint. Custom sizes available.

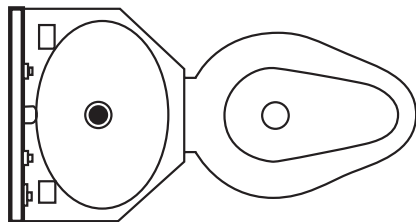
Size: 6' and 8' long

**680-52-32140-0**      **CO-04-1103**

METAL

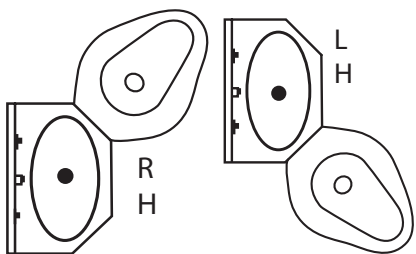
## STAINLESS STEEL SINK/TOILET COMBINATION FIXTURES

**F**IXTURES are fabricated from Type 304 stainless steel, including all internal reinforcement. Exterior is finished to a satin brush finish, with integral seat having a high polish sanitary finish. All-welded construction with integral cabinet interior structurally reinforced and exterior free from accessible voids or crevices where contraband can be concealed. Blow out jet type toilet with elongated bowl. Toilet "P" Trap is designed to prevent concealment of contraband. Counter-top has two integral self-draining soap dishes. Cabinet, sink, toilet bowl, flushing rim, integral seat and trap covers are all 14 Ga. stainless steel. Integral plumbing is constructed entirely from pressure tested stainless steel tubing. Unit is complete with all mounting hardware. Cold water valve, hot and cold water valve, or flush valve is available upon request for an additional fee. All fixtures are priced **\*\*Without\*\*** water valves and flush valves. Prices do not include installation. This cost is provided upon request. Monosleeves provided upon request for additional fee.



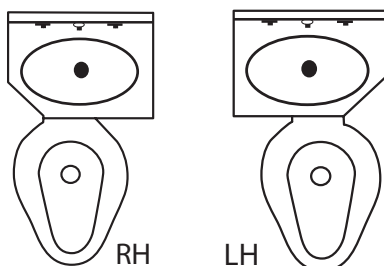
### UNIVERSAL COMBINATION

670-55-79300-3      P2-04-1001



### ANGLE COMBINATION

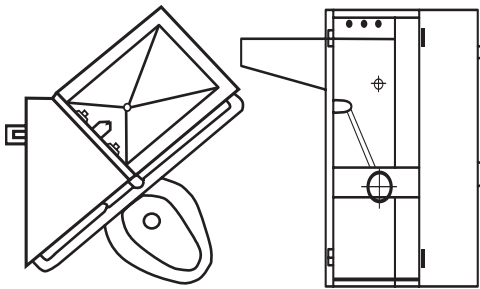
670-55-79075-1      P2-04-1009



### OFF-SET COMBINATION

670-55-79185-8      P2-04-1006

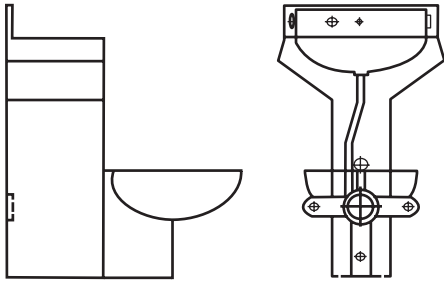
# STAINLESS STEEL SINK/TOILET COMBINATION FIXTURES



## ADA COMBINATION

RH and LH available. Must use hydraulic flush valve. Meets Texas Accessibility Standards.

670-55-79050-4 P2-04-1019



## REPLACEMENT COMBINATION SINK/TOILET FIXTURE

RH and LH available. See above description.

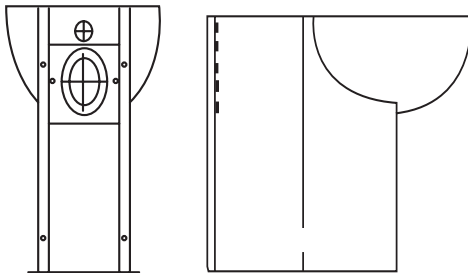
670-55-79215-3 P2-04-1008

## STANDARD TOILET, FLOOR MOUNT WALL DRAIN

Fixture is fabricated entirely from Type 304 stainless steel, including all internal reinforcement. Exterior is finished to a satin brush finish, with integral seat having a high polish sanitary finish. All-welded construction with exterior free from accessible voids or crevices where contraband can be concealed. Blow out jet type toilet with elongated bowl. Toilet "P" Trap is designed to prevent concealment of contraband. Backplate, toilet bowl, integral seat and trap covers are all 14 Ga. stainless steel. Integral plumbing is constructed entirely from pressure tested stainless steel tubing. Unit is complete with all mounting hardware. Flush valve is available upon request for an additional fee.

Size: Toilet bowl: 15.75"H

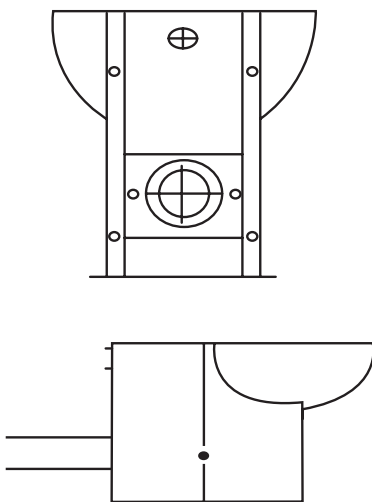
670-55-91910-3 P2-04-1013



## TOILET FLOOR MOUNT CHINA REPLACEMENT WALL DRAIN

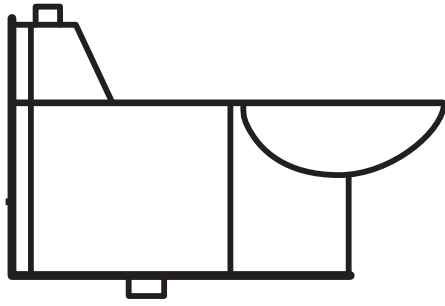
Fixture is fabricated from Type 304 stainless steel, including all internal reinforcement. Exterior is finished to a satin brush finish, with integral seat having a high polish sanitary finish. All-welded construction with integral cabinet interior structurally reinforced and exterior free from accessible voids or crevices where contraband can be concealed. Blow out jet type toilet with elongated bowl. Toilet "P" Trap is designed to prevent concealment of contraband. Cabinet toilet bowl, flushing rim, integral seat and trap covers are all 14 Ga. stainless steel. Integral plumbing is constructed entirely from pressure tested stainless steel tubing. Height of toilet bowl is 14.5". Unit is complete with all mounting hardware. Flush valve is available upon request for an additional fee.

670-55-90910-4 P2-04-1184



METAL

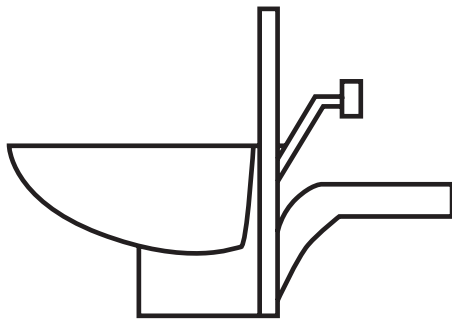
# STAINLESS STEEL TOILET, AND URINALS



## TOILET, FLOOR MOUNT CHINA REPLACEMENT FLOOR DRAIN

Fixture is fabricated from Type 304 stainless steel, including all internal reinforcement. Exterior is finished to a satin brush finish, with integral seat having a high polish sanitary finish. All-welded construction with integral cabinet interior structurally reinforced and exterior free from accessible voids or crevices where contraband can be concealed. Blow out jet type toilet with elongated bowl. Toilet "P" Trap is designed to prevent concealment of contraband. Cabinet toilet bowl, flushing rim, integral seat and trap covers are all 14 Ga. stainless steel. Integral plumbing is constructed entirely from pressure tested stainless steel tubing. Height of toilet bowl is 14.5". Unit is complete with all mounting hardware. Flush valve is available upon request for an additional fee.

670-55-90265-3      P2-04-1015



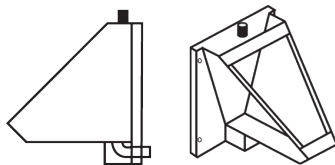
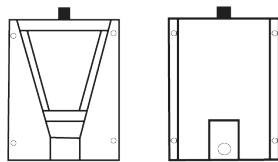
## TOILET, WALL MOUNT SPACE SAVER

Fixture is fabricated entirely from Type 304 stainless steel, including all internal reinforcement. Exterior is finished to a satin brush finish, with integral seat having a high polish sanitary finish. All-welded construction with exterior free from accessible voids or crevices where contraband can be concealed. Blow out jet type toilet with elongated bowl. Toilet "P" Trap is designed to prevent concealment of contraband. Backplate, toilet bowl, integral seat and trap covers are all 14 Ga. stainless steel. Integral plumbing is constructed entirely from pressure tested stainless steel tubing. Unit is complete with all mounting hardware. Flush valve is available upon request for an additional fee.

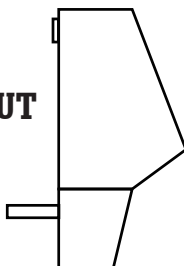
Size: 17"H

670-55-92755-1      P2-04-1014

### ADA



### WASH-OUT



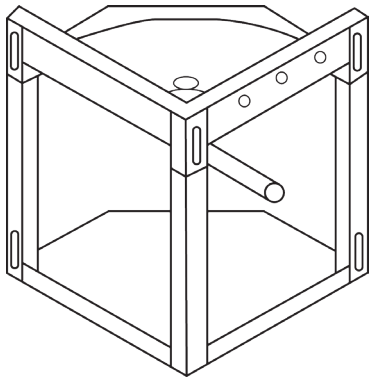
## URINAL, ADA AND WASH-OUT

Urinal is fabricated from 14 Ga. stainless steel. Construction is all-welded and visible welds are ground smooth. Exterior is polished to a satin brush finish. Fixture features a flushing system that washes all four walls. Trap is fully enclosed. Urinal is washout type. Flushing connections are 1.5" NPT connection. Bottom of urinal is sloped to a high capacity stainless steel tamper resistant strainer. Trap is chrome plated and has a 1.5" seal. Waste connections are securely anchored to the urinal, and have a slip adapter with 1.5" NPT. Piping is stainless steel. Urinal has four anchoring holes, and comes with mounting hardware. Flush valve is available upon request for an additional fee.

Size: 15"W x 19"H x 18"D ADA (Meets Texas Accessibility Standards)  
18" Wash-Out

670-55-88095-8      P2-04-1010      ADA  
670-55-86180-0      P2-04-1011      Wash-Out

## LAVATORIES AND MOP SINK

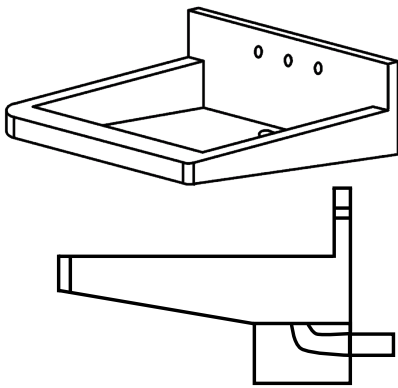


### LAVATORY, CORNER MOUNT

Fixture is fabricated entirely from Type 304 stainless steel all-welded construction with exterior free from accessible voids or crevices where contraband can be concealed. Chrome plated "P" Trap with clean out which permits easy cleaning, without rotting. Stainless steel, brass and chrome plated exterior pieces, furnished with each unit. Unit is complete with all mounting hardware. Cold water, or hot and cold water valve is available upon request for an additional fee. Customer To Specify RH or LH Fixture.

670-55-46210-4

P2-04-1018

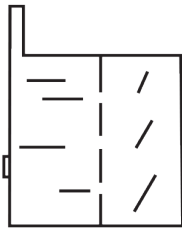


### LAVATORY, ADA

Fixture is fabricated entirely from Type 304 stainless steel all-welded construction with exterior free from accessible voids or crevices where contraband can be concealed. Chrome plated "P" Trap with clean out which permits easy cleaning, without rotting. Stainless steel, brass and chrome plated exterior pieces, furnished with each unit. Unit is complete with all mounting hardware. Cold water, or hot and cold water valve is available upon request for an additional fee.

670-55-47175-8

P2-10-1511

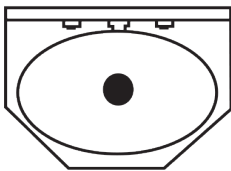


### LAVATORY, P-TRAP, UNIVERSAL

Fixture is fabricated entirely from Type 304 stainless steel all-welded construction with exterior free from accessible voids or crevices where contraband can be concealed. Chrome plated "P" Trap with clean out which permits easy cleaning, without rotting. Stainless steel, brass and chrome plated exterior pieces, furnished with each unit. Unit is complete with all mounting hardware. Cold water, or hot and cold water valve is available upon request for an additional fee.

670-55-43165-3

P2-04-1016



### MOP SINK, CORNER MOUNT

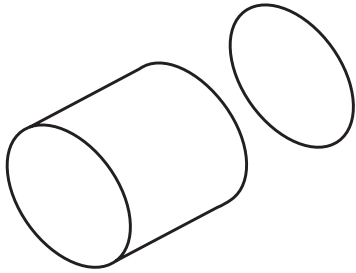
Stainless Steel

Size: 24"D x 24"W x 10"H

165-79-49240-2

BY-04-1028

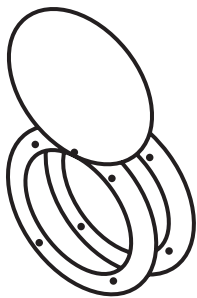
# TOILET PAPER HOLDER, GAS PORTS, AND MIRRORS



## TOILET PAPER HOLDER

Included with combo fixtures as requested.

**BY-04-1032**



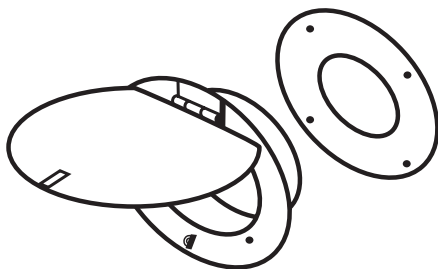
## GAS PORT

Stainless Steel 4" Opening

Size: 4" Opening Inmate Side - 6" Opening Outside

**430-36-47040-9**

**BY-04-1044**



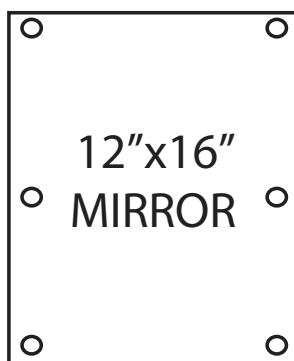
## LOCKING GAS PORT

Stainless Steel 4" Opening.

Size: 4" Opening Inmate Side - 6" Opening Outside

**430-36-47045-8**

**BY-04-1045**



## MIRRORS

Lexan Mirrior manufactured with six mounting holes.

Stainless Steel Mirror manufactured with 14 Ga. SSTL with 6 mounting holes.

Size: 12"W x 16"H

**420-73-35120-9**

**P2-04-1029**

**Lexan**

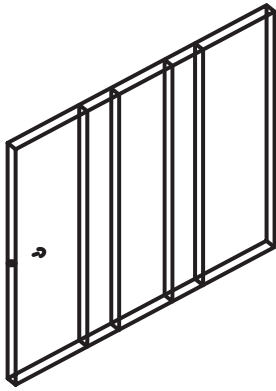
**420-73-35125-8**

**P2-04-1028**

**Stainless Steel**

METAL

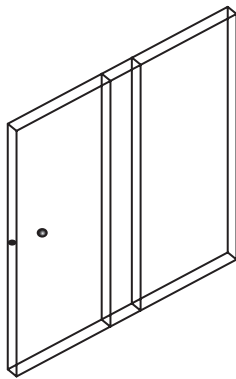
# SHOWER STALLS AND GRAB BARS



## SHOWER STALL, OPTIONAL DOOR HANDICAPPED (ADA)

ADA optional door.

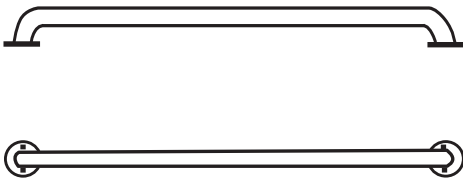
670-62-75195-2      BY-04-1036



## STANDARD SHOWER STALL, OPTIONAL DOOR

Optional door with standard shower stall.

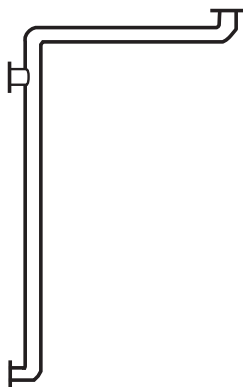
670-62-76200-9      BY-04-1033



## GRAB BAR

Meets ADA requirements. Mounting hardware not included.

670-62-76300-7      P2-04-1002      36"  
670-62-76310-6      P2-04-1003      42"



## L-SHAPED GRAB BAR

Meets ADA requirements. Mounting hardware not included.

670-62-76320-5      P2-04-1004

METAL

# SHOWER STALLS AND CELL DOOR



## HANDICAPPED (ADA) SHOWER STALL

Includes all grab bars, folding shower seat, TCI shower head, ADA shower wand assembly and shower valve assembly. Door available upon request for an additional fee.

Size: 50"W x 36.5"D x 85-.25"H

670-62-75100-2      BY-04-1035      (RH)  
670-62-75105-1      BY-04-1034      (LH)



## STANDARD SHOWER STALL

Includes TCI shower head and shower valve assembly. Door available upon request for an additional fee.

Size: 36.5"W x 36.75"D x 91.5"H

670-62-76160-5      BY-04-1031      (RH)  
670-62-76165-4      BY-04-1030      (LH)



## MAXIMUM SECURITY CELL DOOR

This sliding or hinged Ad Seg cell door has two 5" x 30" vertical view ports and .375" formed Lexan shield to prevent injuries to employees. The door is made of 10 gauge ASTM-A-36 sheet metal and .125" x .75" x 1.5" channel frame with .25" steel stiffener plates with .5" holes drilled in the upper and lower exterior horizontal channel for ventilation and drainage and will be located at all mounting points. The door can also be custom made to fit any correctional or law enforcement need including rust inhibitor metal for long lasting use. The average weight is approximately 427 pounds and can be made to fit any locking system. The door also offers an option of an 18" x 15" SSTL food pass box for the more dangerous offenders. It can be custom fit to any need the customer may have.

Size: 3'W x 70"H

METAL

# TRAFFIC CONTROL SIGNS, TRAILER, AND SPREADER BOX



## TRAFFIC CONTROL SIGNS

All signs manufactured under this program will comply with standards and specifications set out in the Texas Manual on Uniform Traffic Control Devices, 2006 and Texas Department of Transportation Specifications DMS-8300. Sign blanks are manufactured from .063", .080", .100", and .125" thickness aluminum alloy No. 5052 H38 or 6061-T-6. Sign facings are manufactured from reflective sheeting available in Super Engineering Grade, or Diamond Grade.

**Call Customer Service for ordering information.**



## BEAVERTAIL TRAILER

Triple tandem-axel trailer with a maximum carrying capacity of 38,000 pounds. These trailers have a 6' tongue, 27' flat deck (runner), and 6' beavertail (dovetail) at no more than a 12° angle. Trailers come standard with a beavertail loading ramp, standard spring suspension, truck supported hydraulic system, pintle hitch connection, hub-odometer, drop leg jack, and air brakes with ABS. This trailer is also available with an oak deck or composite deck.

Size: 33' and 39'

Models: Gooseneck Trailers: 20', 25', and 30'

**Call Customer Service for ordering information.**



## SPREADER BOX 6 & 10 YARD

The 102" Spreader Box is available in two models. The pin-mounted model that is attached to the dump bed via the tailgate locking mechanism, and the slide-in model that is inserted into the dump bed itself. The units are designed to spread different types of materials over an 8 foot wide path. The spreader slots are made of .5" plate steel for strength and each slot is capable of covering an area of 16.5" x 6". The units spreading area can be regulated at each individual slot for a desired spreading surface. The spreader box is constructed of 10 gauge plate steel and comes with an air actuated control valve.

Size: 102" Pin-mounted and 10 cubic yard water level

When ordering specify inside dump bed width (78" or 84").

**Call Customer Service for ordering information.**

METAL

## STAINLESS STEEL WATER TANKS

**E**LLIPTICAL-SHAPED tank constructed of type 304 stainless steel. Tank is attached to mounting cradle or skid with stainless steel straps. Tank and straps have #4 scratch finish. Note: Tank is sold separately from the truck mounted cradle or slid-in skid. Both must be specified when ordering.



### STAINLESS STEEL WATER TANK

Constructed of 10 ga. type 304 stainless steel. Note: Mounting options sold separately.

**830-67-1700A** 1,700 Gallon 48" x 72" x 144"

**830-67-2000A** 2,000 Gallon 48" x 84" x 144"

### TRUCK-MOUNTED CRADLE FOR A STAINLESS STEEL WATER TANK

Including 2" self priming PTO driven 300 series bowie pump mounted on right side of transmission with Lectra shift control, in-cab controls and air operated spray bar. Mounting cradle and lid included, tank sold separately. Constructed of A36 Carbon Steel.

**830-67-85000-2**

### SLIDE-IN MOUNTING SKID FOR A STAINLESS STEEL WATER TANK

Gravity flow, no pump is included with this option. Fits in standard 84" width 10 yard dump bed. Tank sold separately. Constructed of A36 carbon steel.

**830-67-85000-1**

## DUMP TRUCK BEDS

**D**UMP Bed Base Model PTOs are direct mount with air shift. PTOs for Allison transmissions. PTOs for standard shift transmissions. PTOs for standard shift transmissions with clutch pack shift-on-fly. All hydraulic pumps priced are direct mount: Gear drive 25 GPM (Commercial Brand 4.7 cubic inch), Gear drive 20-25 GPM - Air Actuated Dump Pump, Gear drive 20 GPM (Commercial Brand 3-94 cubic inch).



### 6 YARD DUMP BEDS

065-30-30200-6 Call For Quote

#### PACKAGE IV (TXDOT)

Six Cubic yard water level, 10 ft. body with full length hoist (.250 steel) sub frame, includes the following:

065-30-30208-9

#### FEATURES FROM BASE MODEL (ABOVE)

- Pintle Hitch with Air Plunger
- Hydraulics and Beyond
- Air Actuated Tail Gate System
- Standard LED Lights
- Tail Gate Apron
- Water Can Rack
- Large Tool Box with Lock
- Chip Spreader Bar
- Undercoating



### 10 YARD DUMP BEDS

065-30-30500-9 Call For Quote

#### PACKAGE IV (TXDOT)

Ten cubic yard water level, 160 .75" body with full length hoist (.250 steel) sub frame, includes the following:

065-30-30508-2

#### FEATURES FROM BASE MODEL (ABOVE)

- Pintle Hitch with Air Plunger
- Hydraulics and Beyond
- Air Actuated Tail Gate System
- Standard LED Lights
- Tail Gate Apron
- Water Can Rack
- Large Tool Box with Lock
- Chip Spreader Bar
- Undercoating
- Fuel

# DUMP TRUCK ACCESSORIES

## DESCRIPTION

## ORDERING DETAILS

### DUMP TRUCK ACCESSORIES

Fuel - Diesel up to 20 gallons	065-30-10268-7
D.O.T. commercial inspection sticker	065-30-10266-1
Rack for water can	065-30-10615-9
Undercoating	065-30-10880-9
Mud flaps, includes installation	065-30-10485-7
Back-up alarm, includes installation	065-30-10055-8
First aid kit with truck purchase only	065-30-10270-3
Fire extinguisher, 5 lb., dry chemical with truck purchase only	065-30-10265-3
Safety inspection & sticker/non-commercial	065-30-10267-9
Pintle hitch without air plunger	065-30-10560-7
Chip spreader bar	065-30-10135-8
Hydraulics and beyond	065-30-10395-8
Tailgate apron, bolt-on	065-30-10815-5
Air actuated tailgate system	065-30-10035-0
Tool box with lock, large capacity	065-30-10871-8
Angle iron, 2" x 2" x .25" - 6 Yard Only	065-30-10557-3
Angle iron, 2" x 2" x .25" - 10 Yard Only	065-30-10559-9
Pintle hitch with air plunger	065-30-10562-3
Hydraulics system kit, retro fit kit	065-30-10399-0
Air and beyond retrofit kit	065-30-10397-4
Ladder - slide in	065-30-10400-6
Tailgate striping, High visibility for 4, 5 & 6 yd. 78" TDCJ made beds.	065-30-10890-8
Tailgate striping, High chevron visibility for 6,10 and 12 yd. 84" TDCJ made bed.	065-30-10892-4

METAL



# DUMP TRUCK ACCESSORIES

## DESCRIPTION

## ORDERING DETAILS

### CONTROL VALVES

Hydraulic control valve	065-30-38808-8
Sander control valve	065-30-38810-4
Auger control valve	065-30-38812-0

### INSTALLATIONS, LIGHT BARS, LED LIGHTS, ROLLER

Strobe light bar/amber, mounted with bracket	065-30-55090-1
Replace incandescent lights with LED lights, except incandescent back-up light.	065-30-55096-8

### HEADACHE RACKS

Headache rack for 10 & 12 yd. 84" TDCJ made beds	065-45-30252-0
--	----------------

### TARPAULINS

Tarp for spring return with flaps for 10 & 12 yd. dump beds	065-30-50320-2
Tarp for spring return without flaps for 4,5 & 6 yd. dump beds (Specify 78" or 84")	065-30-50322-8
Tarp for spring return without flaps for 10 & 12 yd. dump beds	065-84-50324-4
Spring Return Tarp Device, 78" 6 yd.-specify 78" or 84"	065-30-10750-4
Spring Return Tarp Device, 84" 10 yd.-specify 78" or 84"	065-30-10752-0
Tarpaulin system, mouse trap style with electric motor (Specify, 6 yd./78", 6 yd./84" or 10 yd.)	065-84-50330-1
Tarpaulin for spring return with flaps for 4,5 & 6 yd. dump bed, 78" or 84"	065-30-50319-4

